

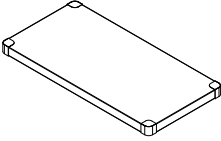
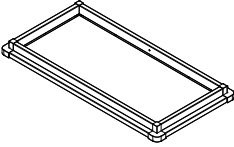
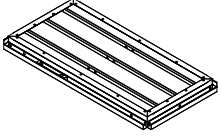
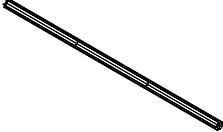
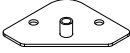
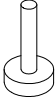



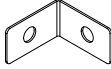
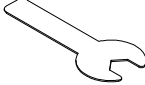
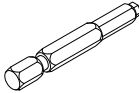
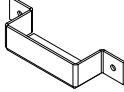
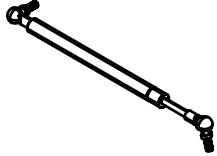
WE-BOX-NOBLE-H-600-L

INSTRUCTION MANUAL.

Spare Part List

CARTON 1/1

No.	Diagram	QTY
A-1		1
B-1		1
A-2		1
C-1		4
P-1		4
P-2		4

No.	Diagram	QTY
S-1	 Screw M6*12	60
S-2		2
S-3		1
S-4		1
S-5		1
Q-1		1

Before proceeding with the assembly of your louvered pergola, it is necessary to check that all parts listed are supplied and not damaged.

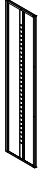





Any missing part must be reported within 10 days of delivery.

You can either go through your local outlet store or make the request directly on our website.

Do not discard the packaging without ensuring that the product is functioning properly.

Spare Part List

CARTON 1/1

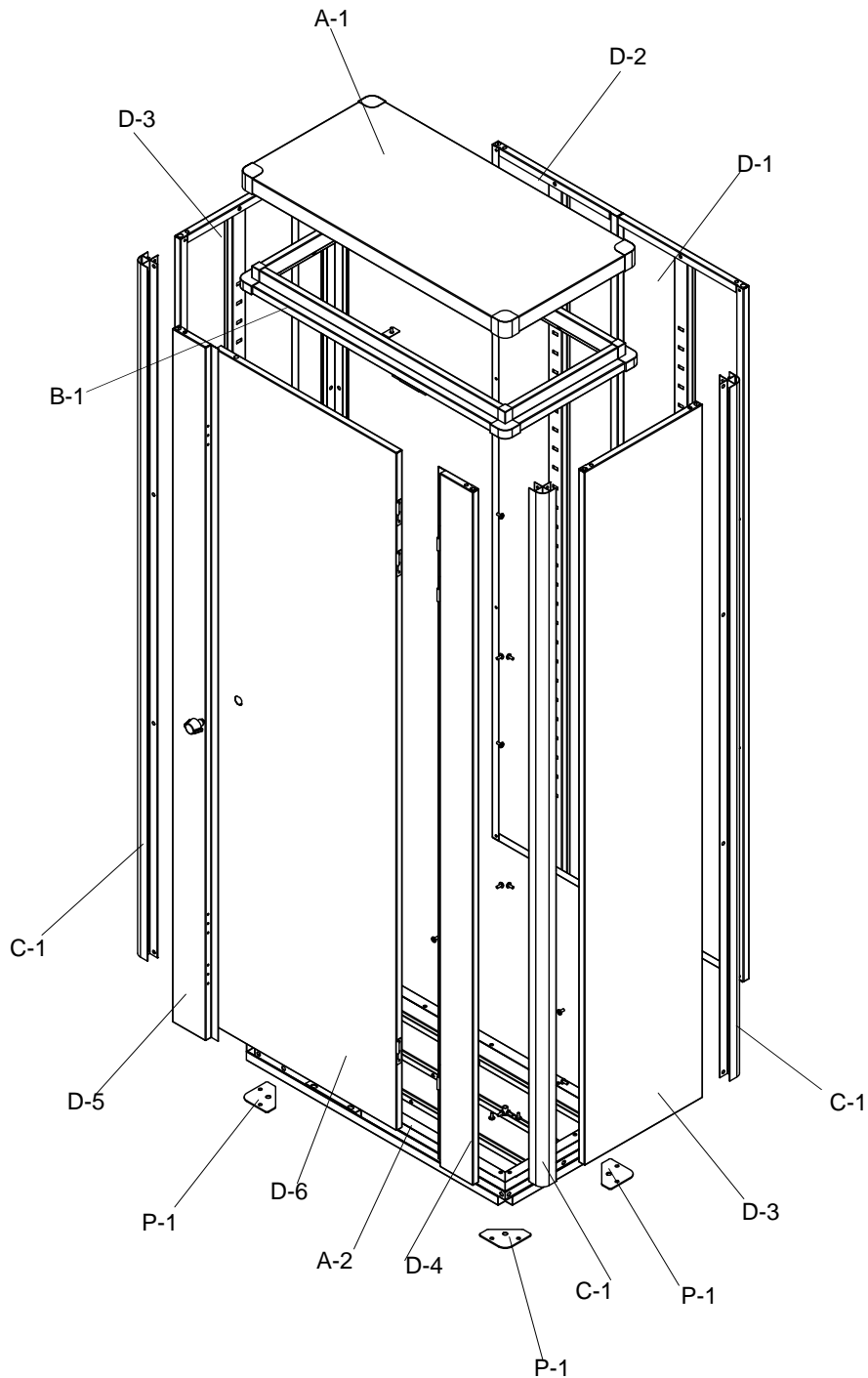
No.	Diagram	QTY
D-1		1
D-2		1
D-3		2
D-4		1
D-5		1
D-6		1




Before proceeding with the assembly of your louvered pergola, it is necessary to check that all parts listed are supplied and not damaged.

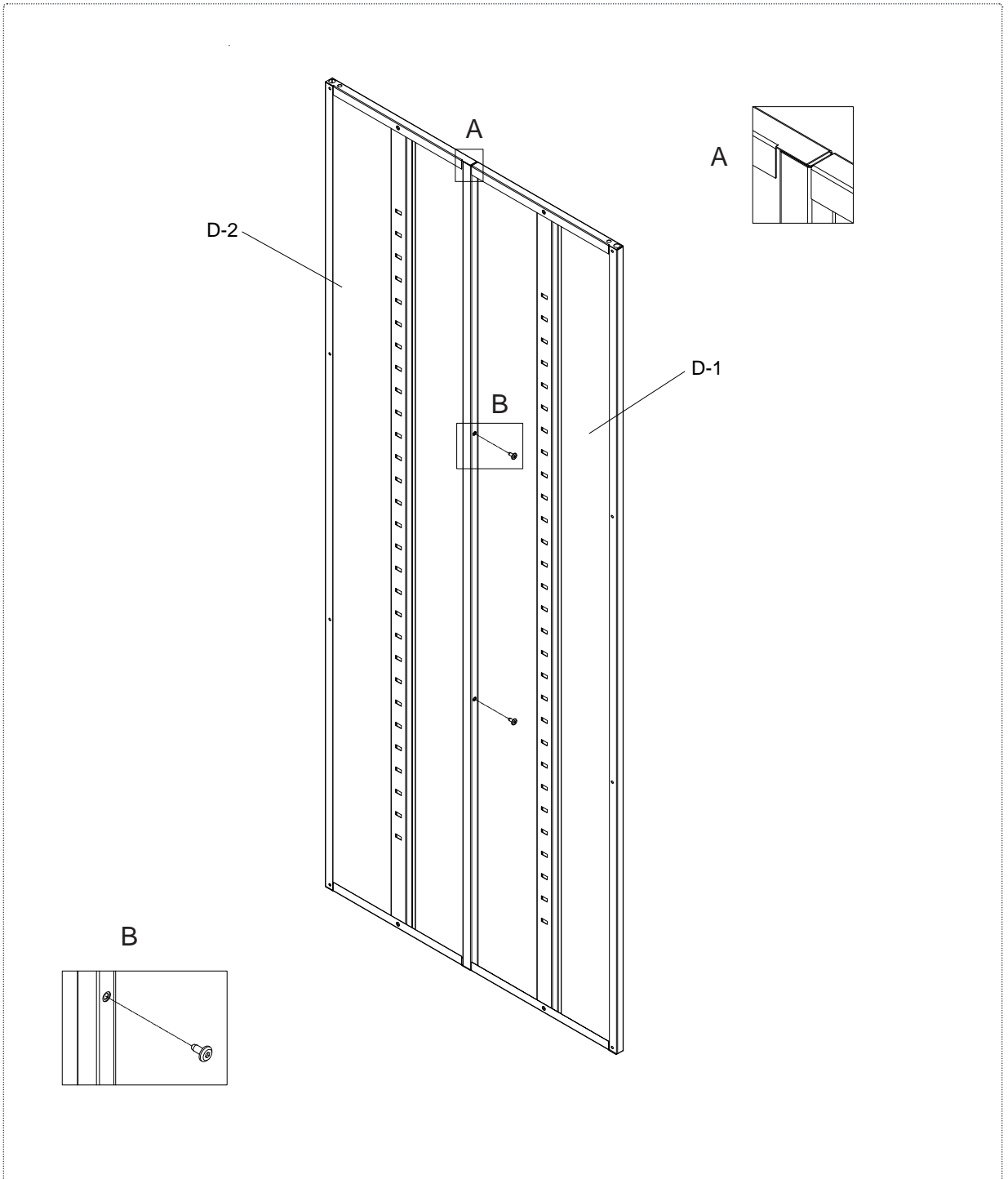
Any missing part must be reported within 10 days of delivery.

You can either go through your local outlet store or make the request directly on our website.

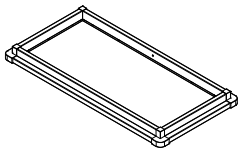
Do not discard the packaging without ensuring that the product is functioning properly.



- D-1  x1
- D-2  x1
- S-1  x2

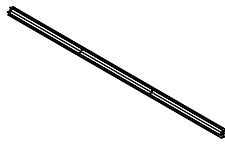


B-1

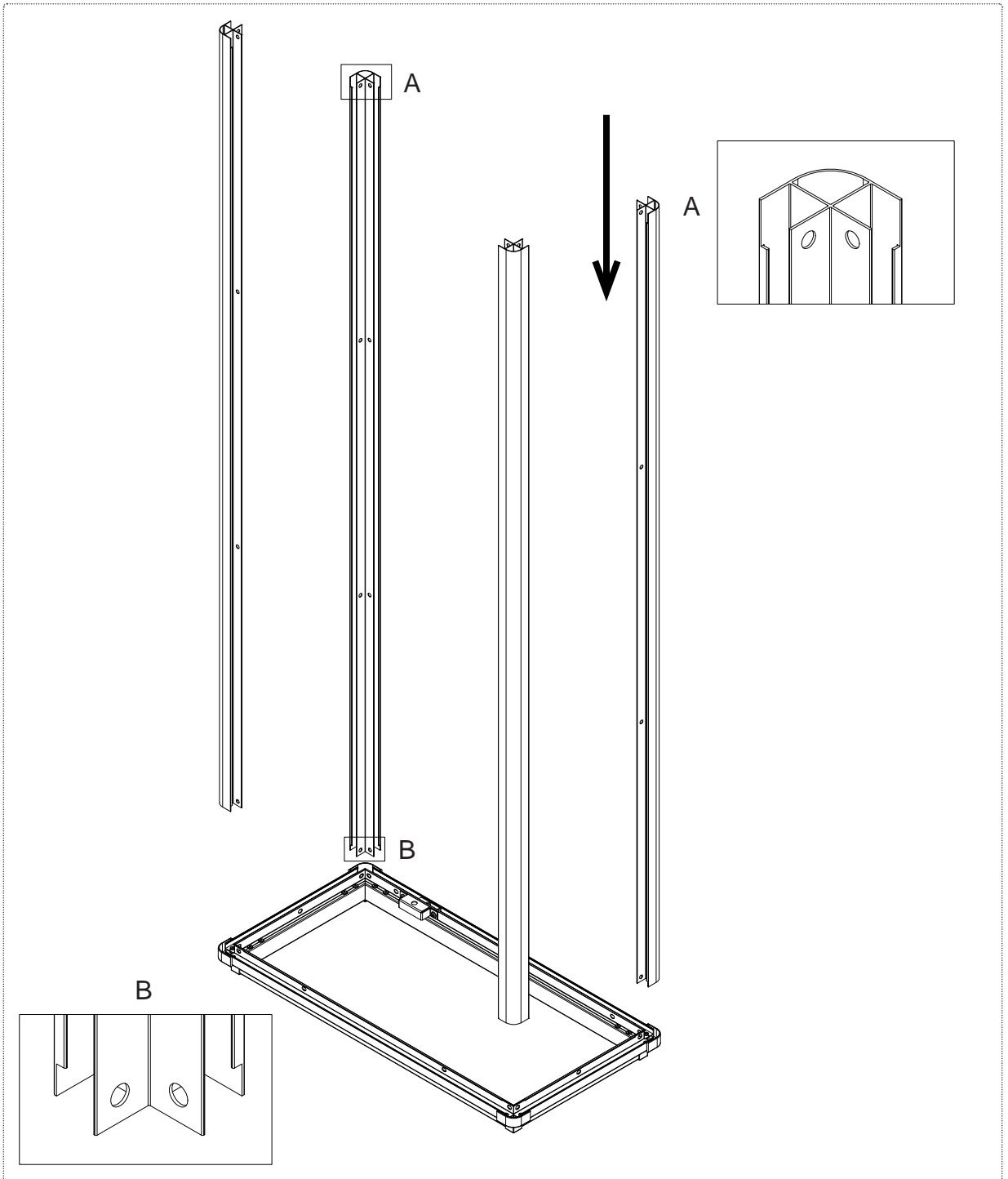


x1

C-1



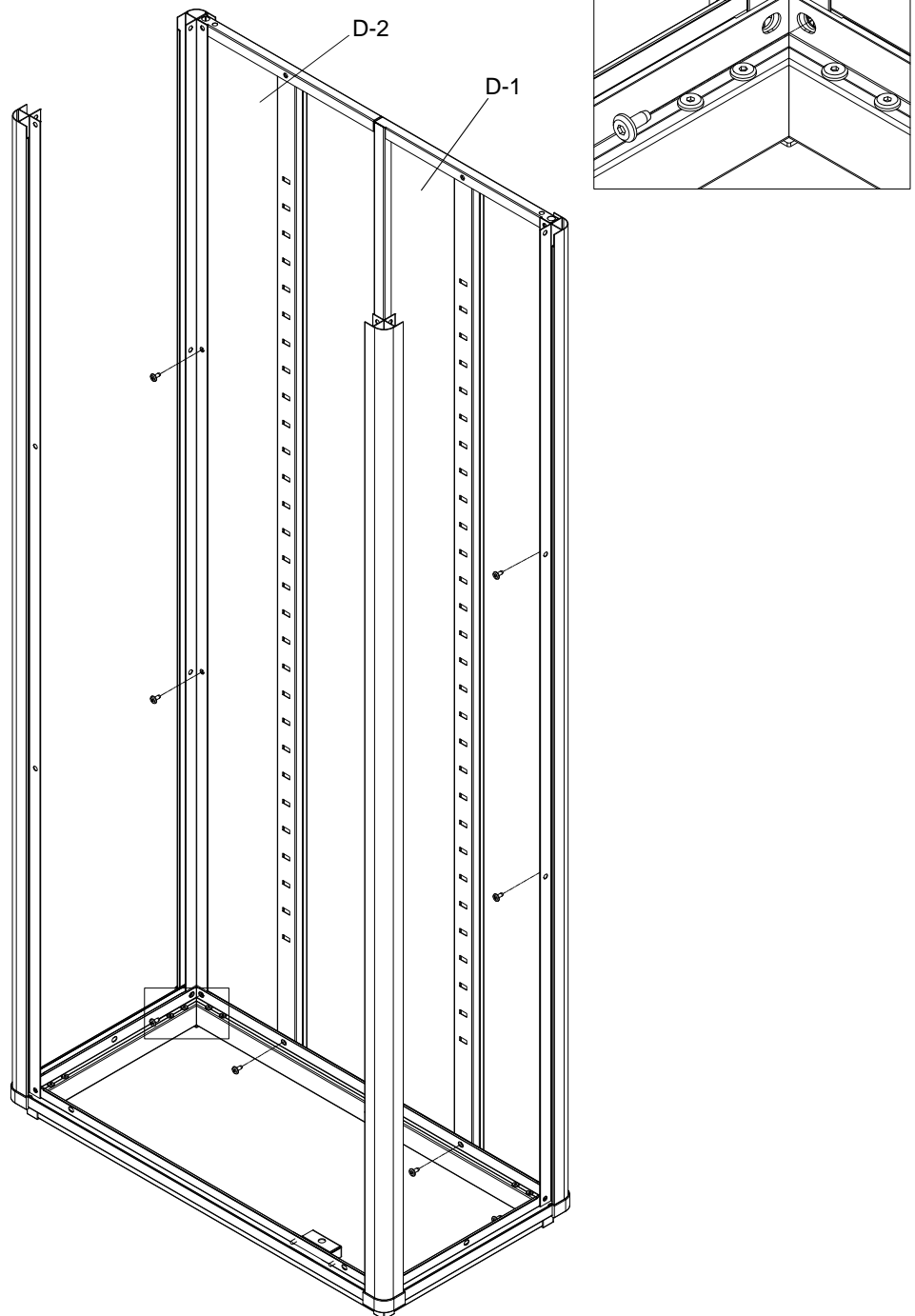
x4



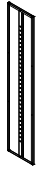
S-1



x8



D-3

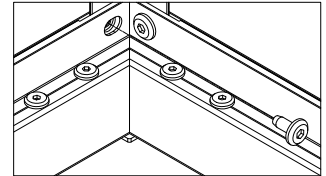
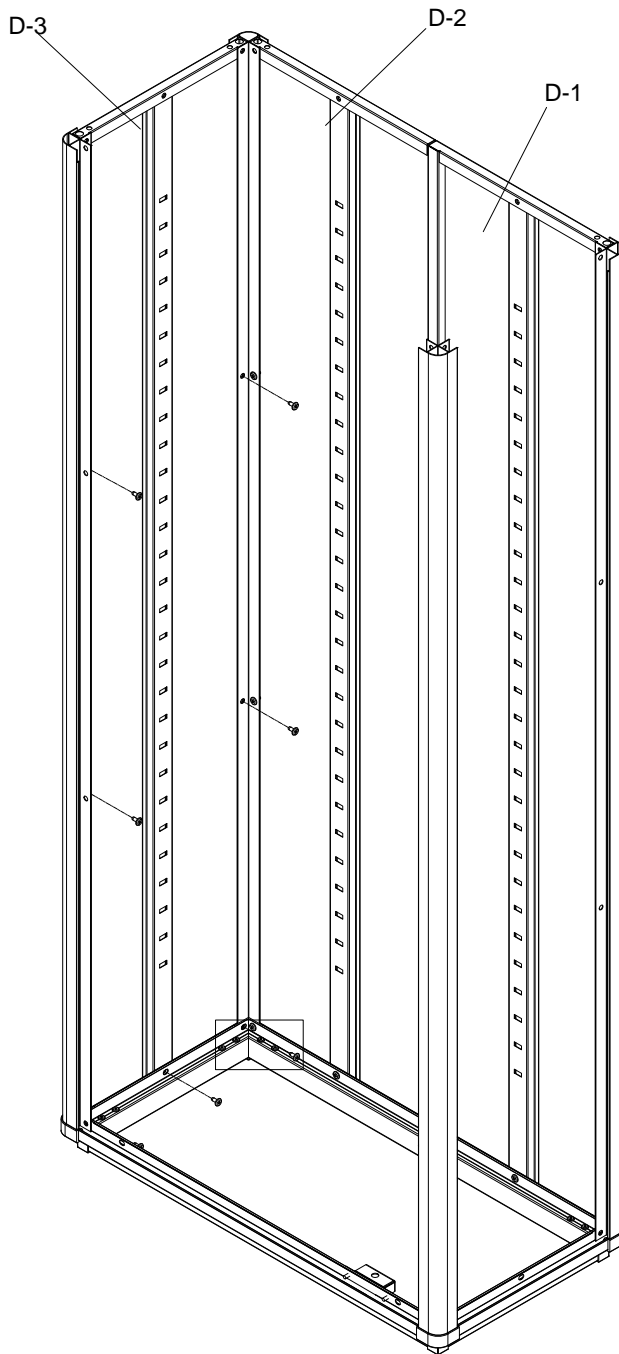


x1

S-1



x7



D-3

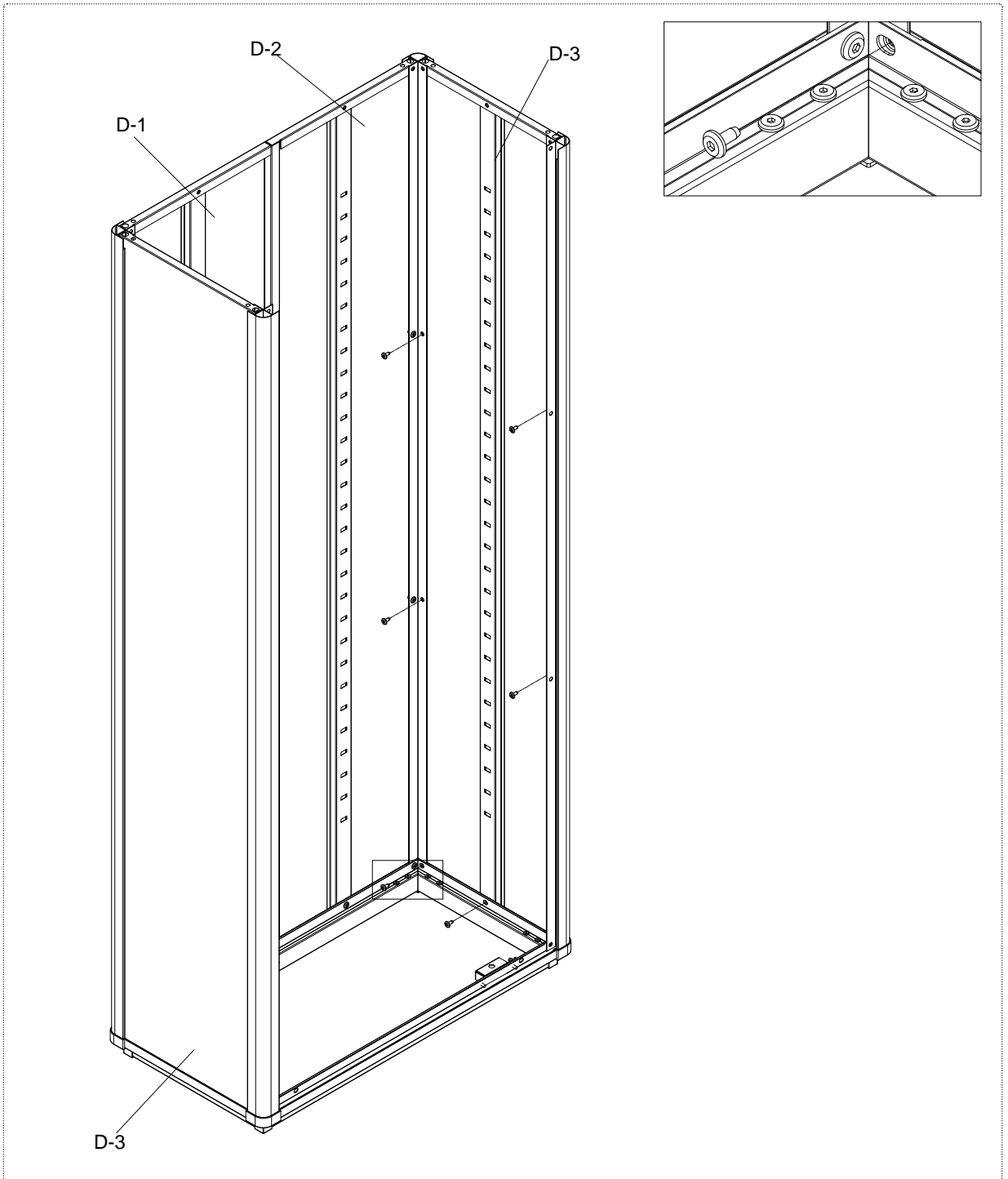


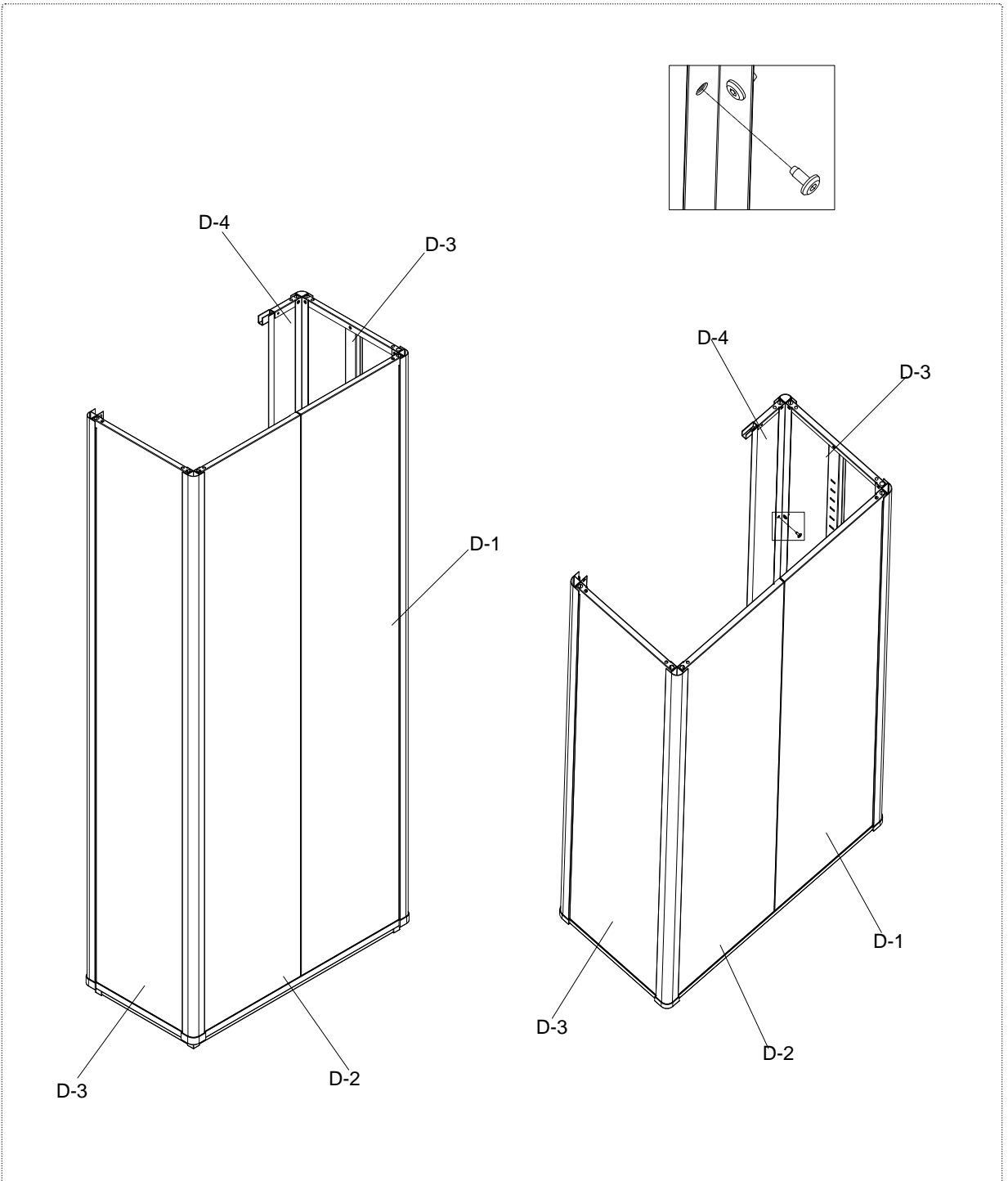
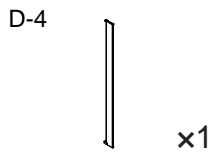
x1

S-1



x7





D-5

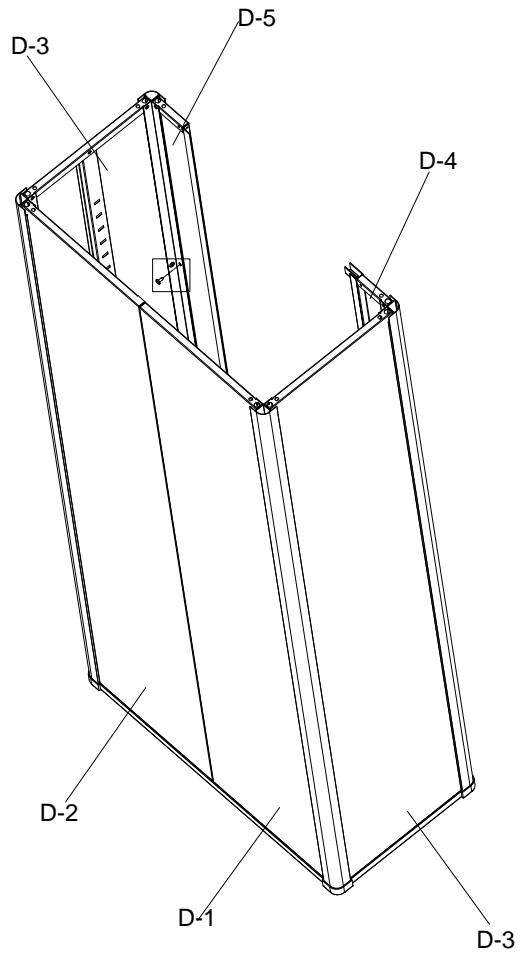
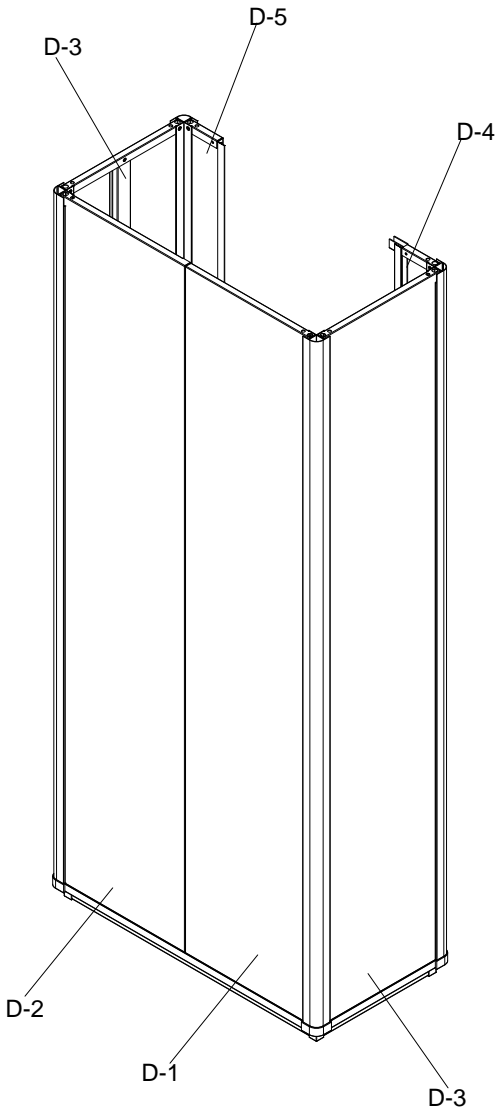


x1

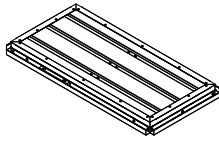
S-1



x4



A-2

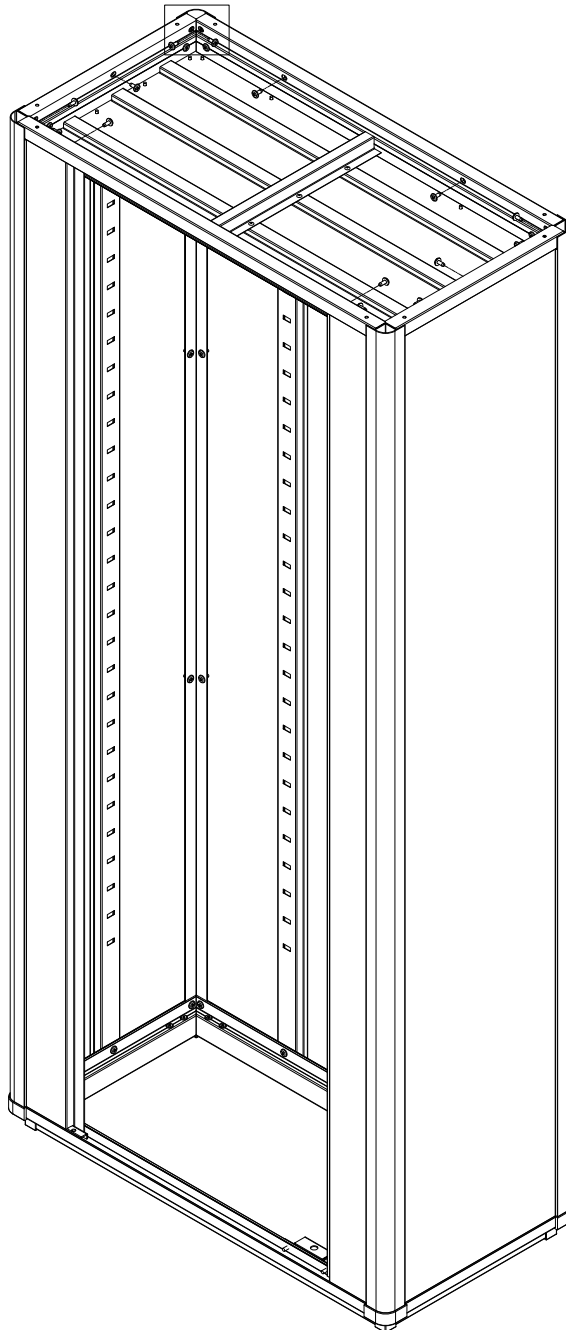
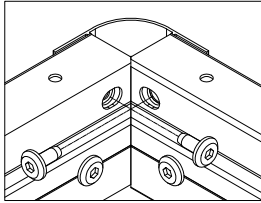


x1

S-1



x14



P-1

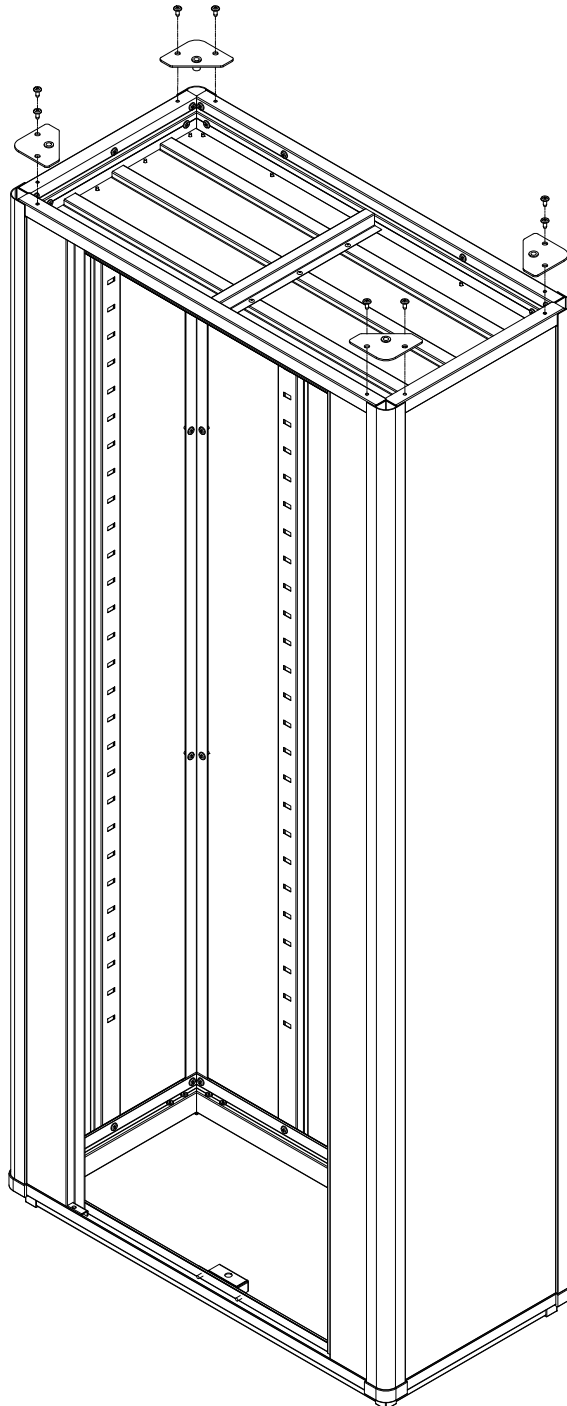


x4

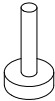
S-1



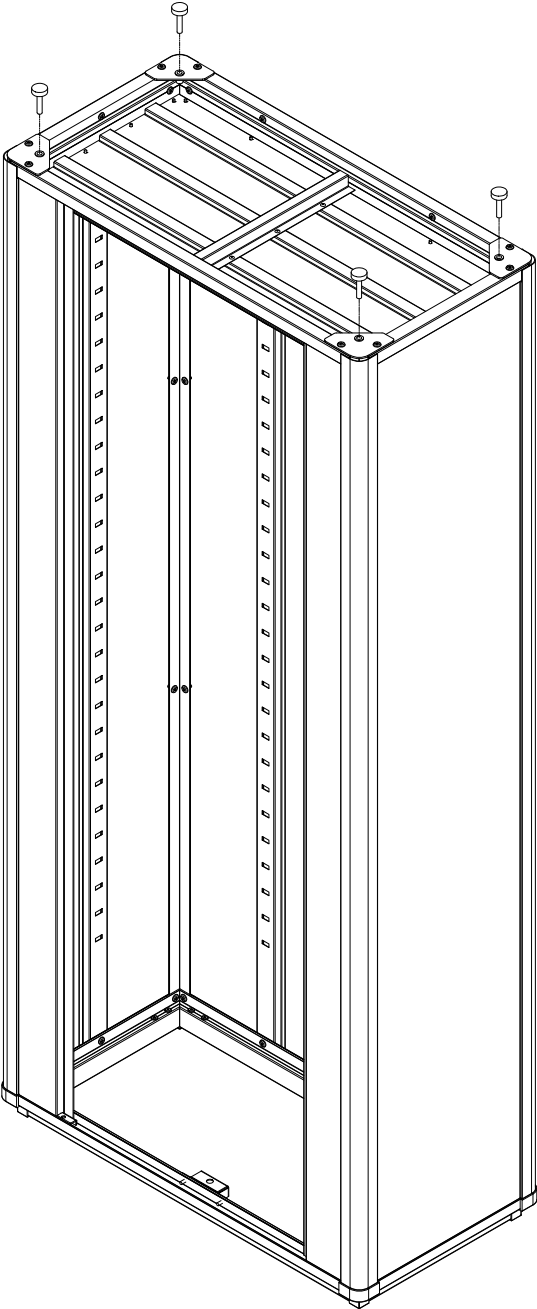
x8

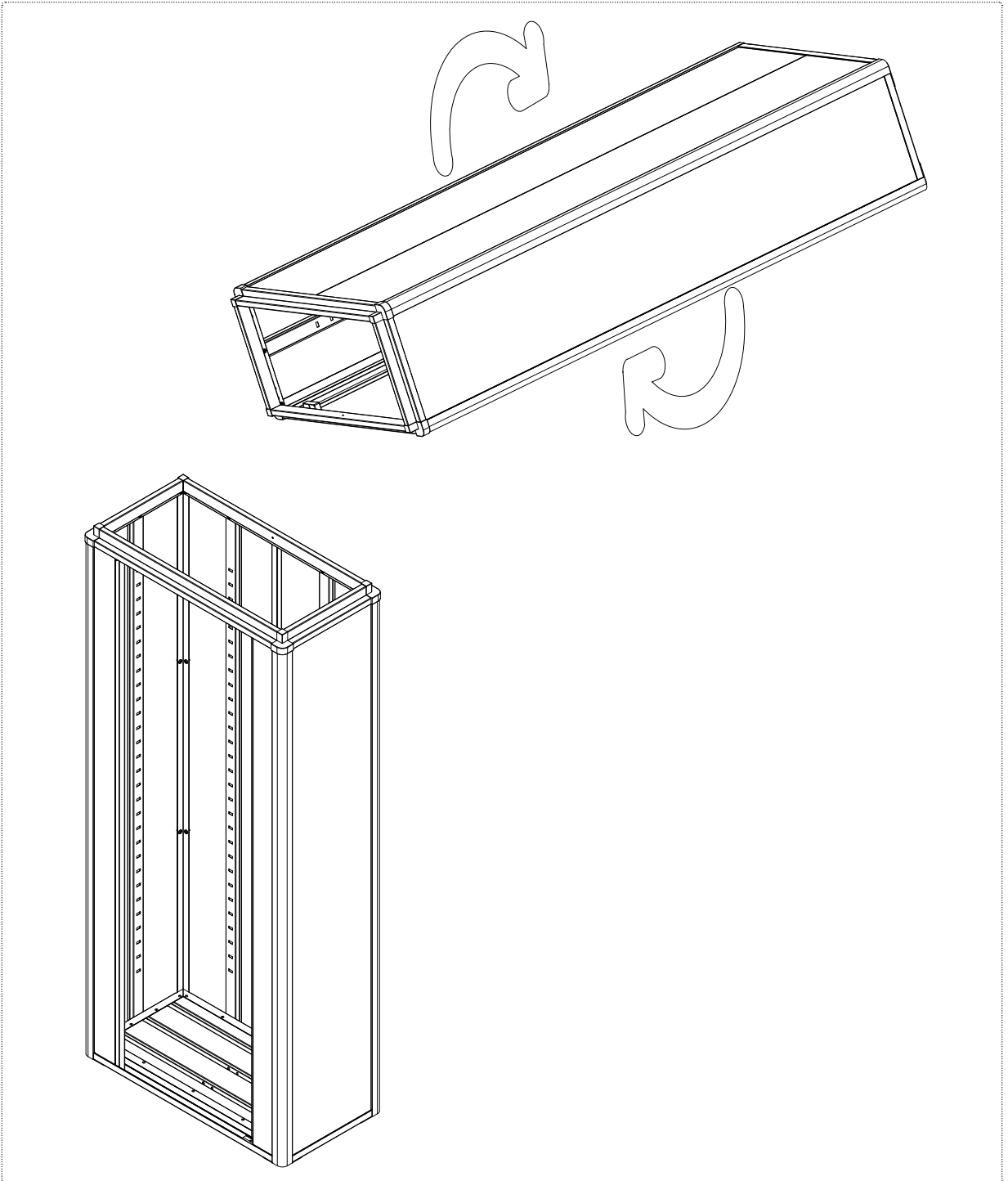


P-2

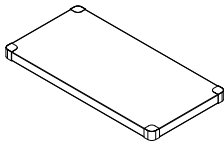


x4



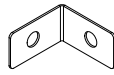


A-1



x1

S-2

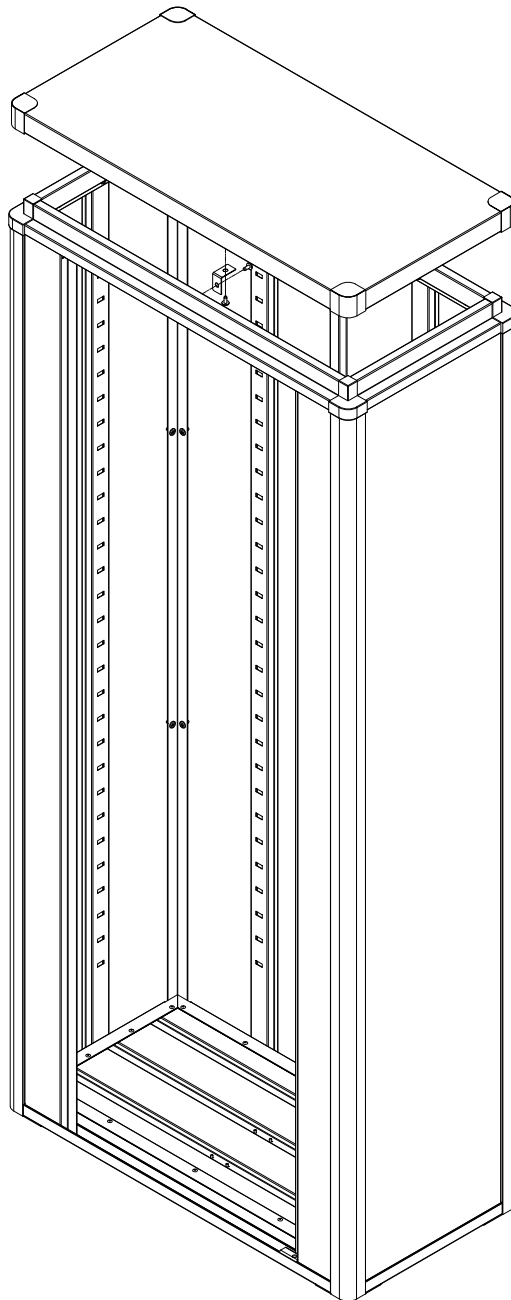


x2

S-1



x4



D-6



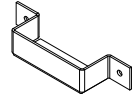
x1

S-1

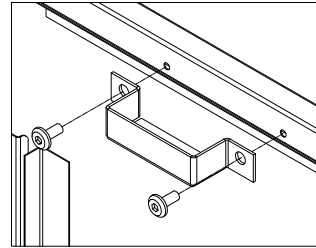
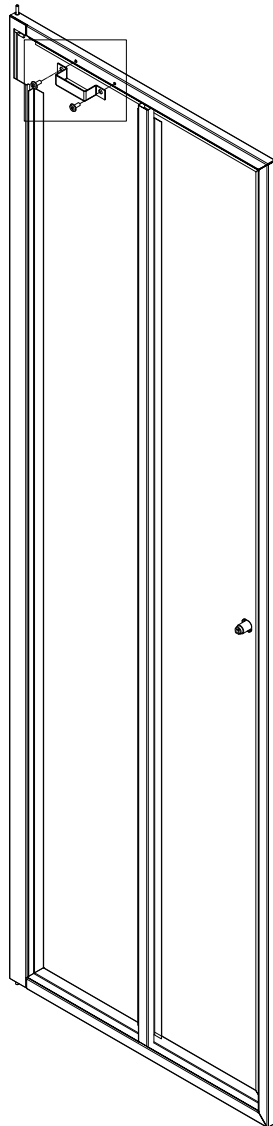


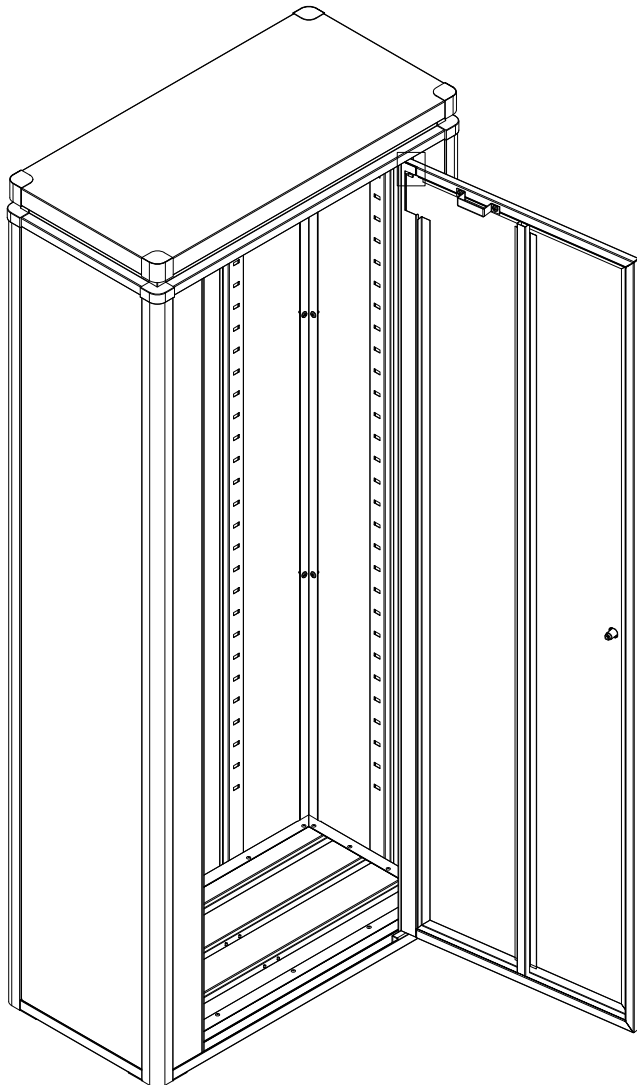
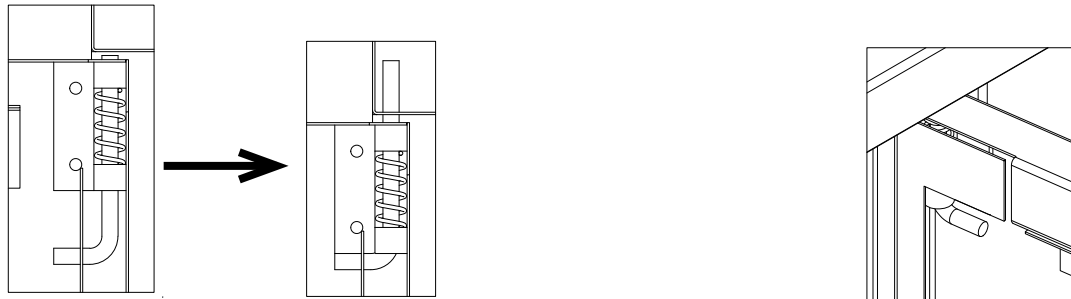
x2

S-5

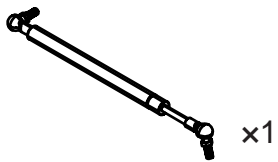


x1





D-7



S-3

